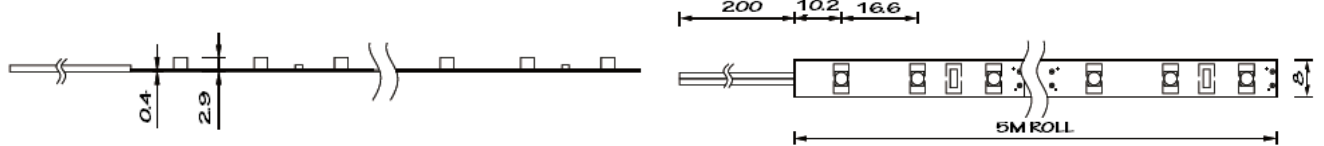


FLEXIBLE STRIP LIGHT

High brightness SMD 3528 is used as the light source and high temperature resistant PCB is used for flexible strip light. Colour such as warm white and cool white etc, 3 LEDs cuttable and double adhesive tape is used at the back of strip light. The thin PCB design and lower working voltage make the strip lights easy to be operated. It is widely used for indoor decoration, signs, backlighting or edge lighting, etc.



Item no.	Colour	Led type	LED qty	Voltage	Current	Wattage/M	Roll
LSW072A	Warm white	SMD3528	60LED / M	12V DC	400mA / M	4.8W / M	5M / roll
LSC072A	Cool white	SMD3528	60LED / M	12V DC	400mA / M	4.8W / M	5M / roll
LSW073A	Warm white	SMD3528	60LED / M	12V DC	1200mA / M	14.4W / M	5M / roll
LSC073A	Cool white	SMD3528	60LED / M	12V DC	1200mA / M	14.4W / M	5M / roll

Weatherproof IP68

Item no.	Colour	Led type	LED qty	Voltage	Current	Wattage/M	Roll	IP rated
LSC073A W	Warm white	SMD3528	60LED / M	12V DC	1200mA / M	14.4W / M	5M / roll	IP68

Accessories

ALP002

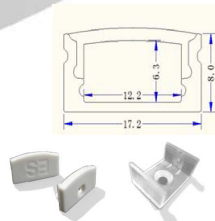
Low profile aluminium extrusion with opal diffuser

Features:

- Surface or recessed mounting
- Anodized aluminium
- Polycarbonate diffuser

Kit included:

- 1 x 2.5M extrusion
- 1 x Opal diffuser
- 2 x Mounting brackets
- 2 x End caps



ALP004

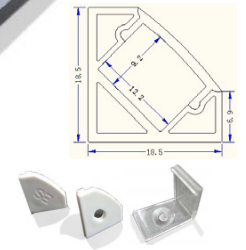
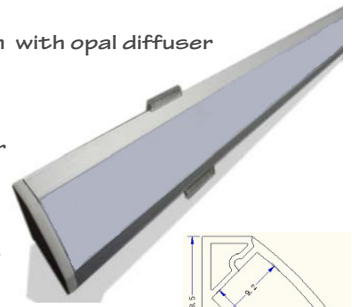
45° aluminium extrusion with opal diffuser

Features:

- Surface mounting
- Anodized aluminium
- Polycarbonate diffuser

Kit included:

- 1 x 2.5M extrusion
- 1 x Opal diffuser
- 2 x Mounting brackets
- 2 x End caps



Accessories to suit ALP002
 Low profile aluminium extrusion.



Accessories to suit ALP004
 45° aluminium extrusion.



PS3A12VDC
 LED power supply



PS6A12VDC
 LED power supply

